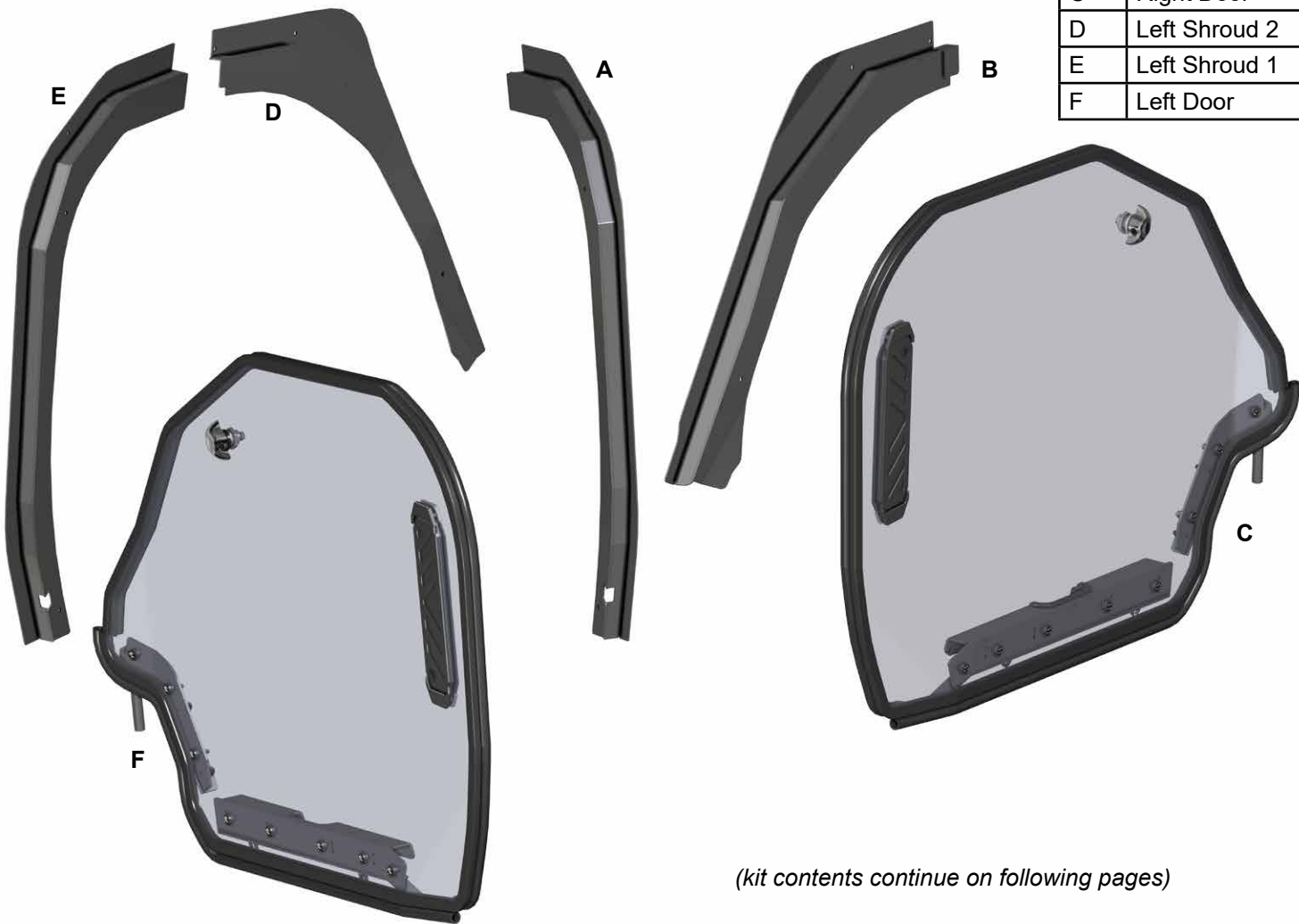


INSTALLATION INSTRUCTIONS
4 Seat Upper Door Kit:
 for Yamaha Wolverine RMAX4

- Do not discard packaging until product has been successfully installed.
- This item is not returnable if the protective film has been removed.
- Test fit to the cage to confirm fitment before removing film.
- Driver side installation shown in illustrations.

Item	Description
A	Right Shroud 1
B	Right Shroud 2
C	Right Door
D	Left Shroud 2
E	Left Shroud 1
F	Left Door



(kit contents continue on following pages)

Door Cleaning:

- Do not use Rain-X®, Plexus® or any other protector, wax, or polish.
 - Do not use window cleaning fluids (Windex, 409, etc) or any solvents (gasoline, denatured alcohol, acetone, etc).
 - Never use abrasive cleaners, abrasive pads, or gritty cloths.
 - Never use razor blades, scrapers, squeegees, brushes, etc.
1. Thoroughly rinse Doors to float off dirt and mud.
 2. Using a soft cloth, or microfiber cloth, clean Doors with warm water and a gentle detergent. Baby shampoo, rubbing alcohol, or hand washing soap can also be used.
 3. To prevent water spots, use a chamois to blot Doors dry.

Need help with your installation?

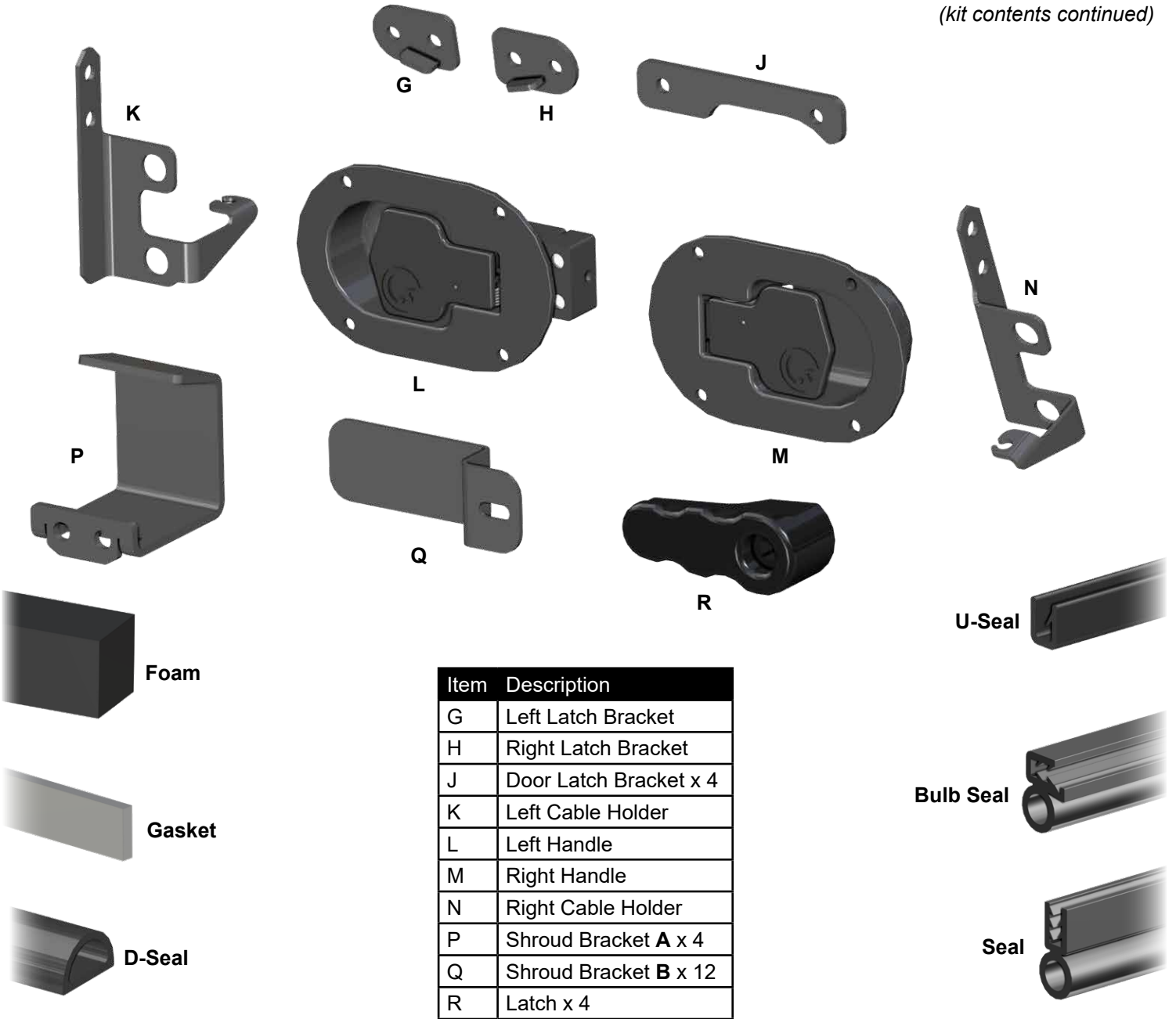
✉ sales@superatv.com 🖥 www.superatv.com

☎ 1-855-743-3427 🕒 8:00am - 8:00pm EST M-Th
 8:00am - 7:00pm EST Friday
 9:00am - 2:00pm EST Saturday

Read instructions and view illustrations before beginning.

Thank You
 For Choosing
SUPERATV.COM[®]

(kit contents continued)



Item	Description
G	Left Latch Bracket
H	Right Latch Bracket
J	Door Latch Bracket x 4
K	Left Cable Holder
L	Left Handle
M	Right Handle
N	Right Cable Holder
P	Shroud Bracket A x 4
Q	Shroud Bracket B x 12
R	Latch x 4

(kit contents continued)



Item	Description
S	Left Rear Door
T	Right Rear Door
U	Left Rear Shroud 1
V	Left Rear Shroud 2
W	Right Rear Shroud 1
X	Right Rear Shroud 2
Y	Magnet Latch x 4
Z	Left Frame Bracket
AA	Right Frame Bracket

Liability Statement

SuperATV's® products are designed to best fit user's ATV/UTV under stock conditions. Adding, modifying, or fabricating any factory or aftermarket parts will void any warranty provided by SuperATV® and is not recommended. SuperATV's® products could interfere with other aftermarket accessories. If user has aftermarket products on machine, contact SuperATV® to verify that they will work together.

Although SuperATV® has thousands of satisfied customers, user should be aware that installing lift kits, long travel, or suspension kits, tires, etc. will change the ride of machine and may increase maintenance and part wear. Operating any off-road machine while, or after, consuming alcohol and/or drugs increases risk of bodily harm or death. No warranty or representation is made as to this product's ability to protect user from severe injury or death. SuperATV® urges operators and occupants to wear a helmet and appropriate riding gear at all times.

By purchasing and installing SuperATV® products, user agrees that should damages occur, SuperATV® will not be held responsible for loss of time, use, labor fees, replacement parts, or freight charges. SuperATV®, nor any 3rd party, will not be held responsible for any direct, indirect, incidental, special, or consequential damages that result from any product purchased from SuperATV®. The total liability of seller to user for all damages, losses, and causes of action, if any, shall not exceed the total purchase price paid for the product that gave rise to the claim.

SuperATV® will warranty only parts provided by SuperATV®. Any damage or problems with OEM housings, bearings, seals, or other manufacturers' products will not be covered by SuperATV®. SuperATV® parts and products are not warranted if item was not installed properly, misused, or modified.

Installing, adding, modifying, or fabricating any factory or aftermarket product to your ATV/UTV may violate certain local, state, and federal laws. Be advised that laws vary depending on town, city, county, state, etc. Use of certain products on public streets, roads, or highways may be in violation law. The Buyer is solely and exclusively legally and personally responsible for any violation of the law by the installation or use of the product. You must abide by all local, state, and federal laws, including but not limited to vehicle safety, traffic laws, and ordinances. It is your responsibility to know the laws and how they apply to you.

The Buyer is responsible to fully understand the capability and limitations of his/her vehicle according to manufacturer specifications, warnings and instructions and agrees to hold SuperATV® harmless from any damage resulting from failure to adhere to such specifications, warnings and/ or instructions. The Buyer is also responsible to obey all applicable federal, state, and local laws and ordinances when operating his/her vehicle while using this product, and the Buyer agrees to hold SuperATV® harmless from any violation thereof.

- Remove Door Panel.



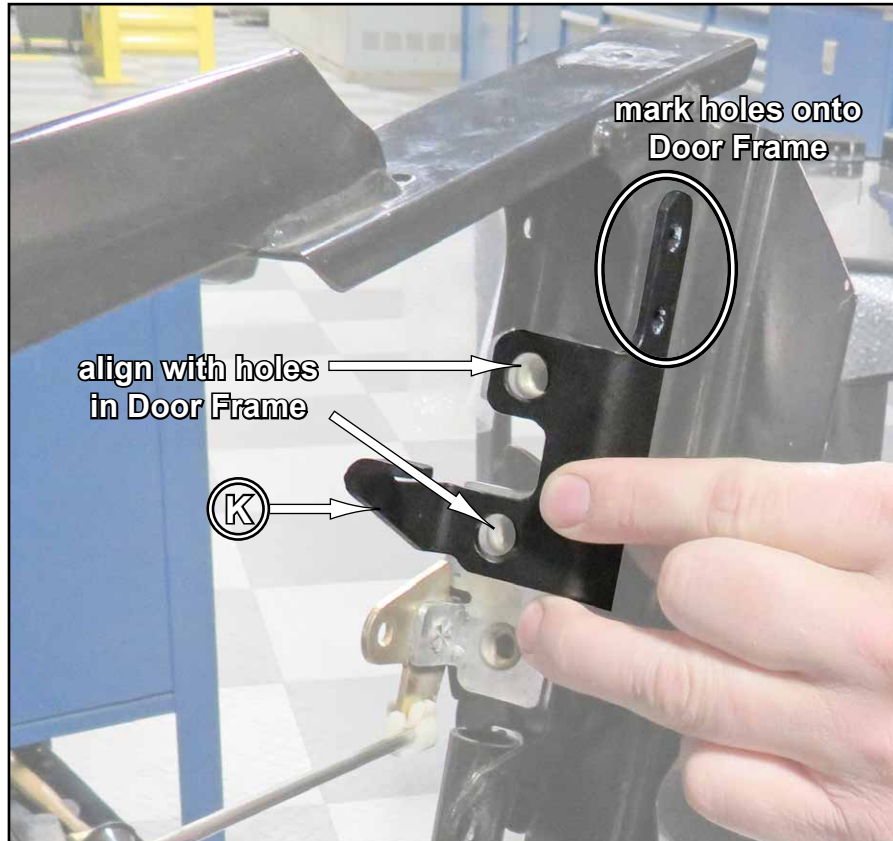
- Trace outline of Tube onto Side Panel.
- Remove Side Panel.







- Place Left Cable Holder (K) onto Door Frame.
- Align holes shown and mark hole locations onto Door Frame.



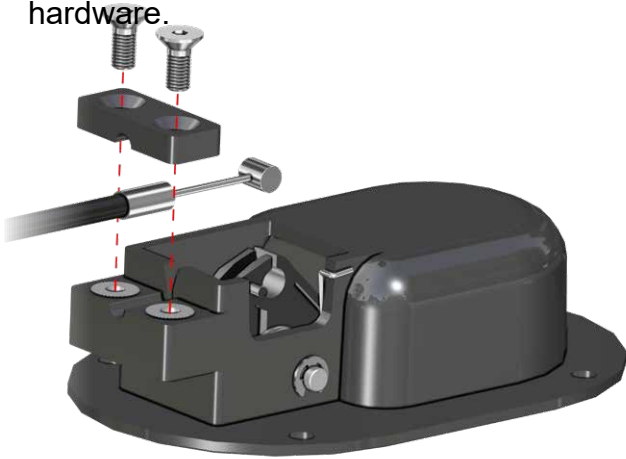
- Close Door Frame and drill (2) $\text{\O}5\text{mm}$ holes through Door Frame.



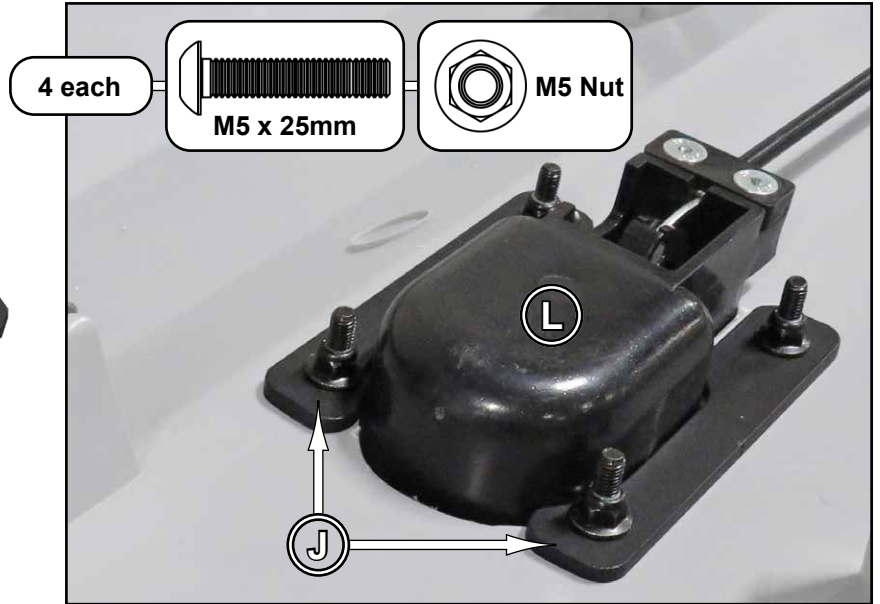
- Install Left Cable Holder (K) with hardware shown; tighten.



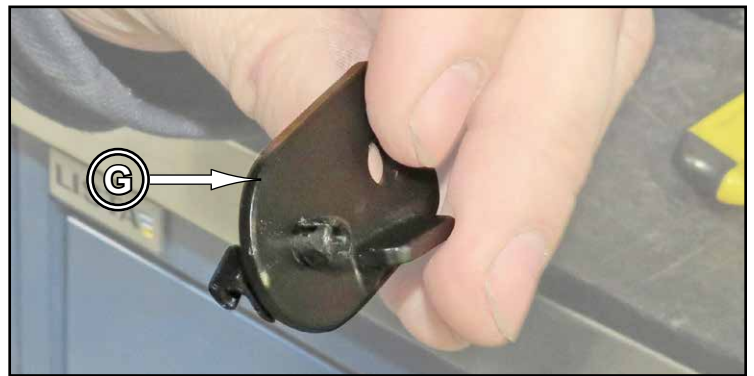
- Separate Left Handle and install Cable.
- Reassemble Left Handle; tighten hardware.



- Install Left Handle (L) and Door Latch Brackets (J) to Side Panel with hardware shown; tighten.

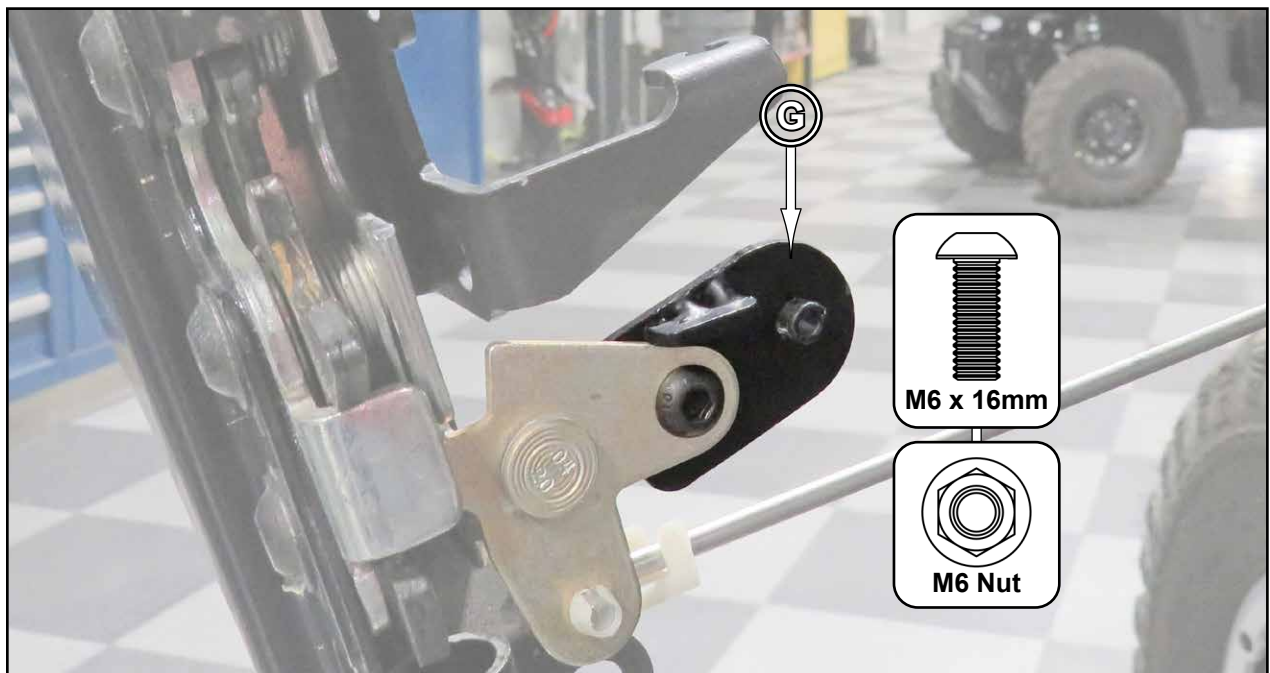


- Split Retainer as shown.



- Install Retainer to Left Latch Bracket (G).

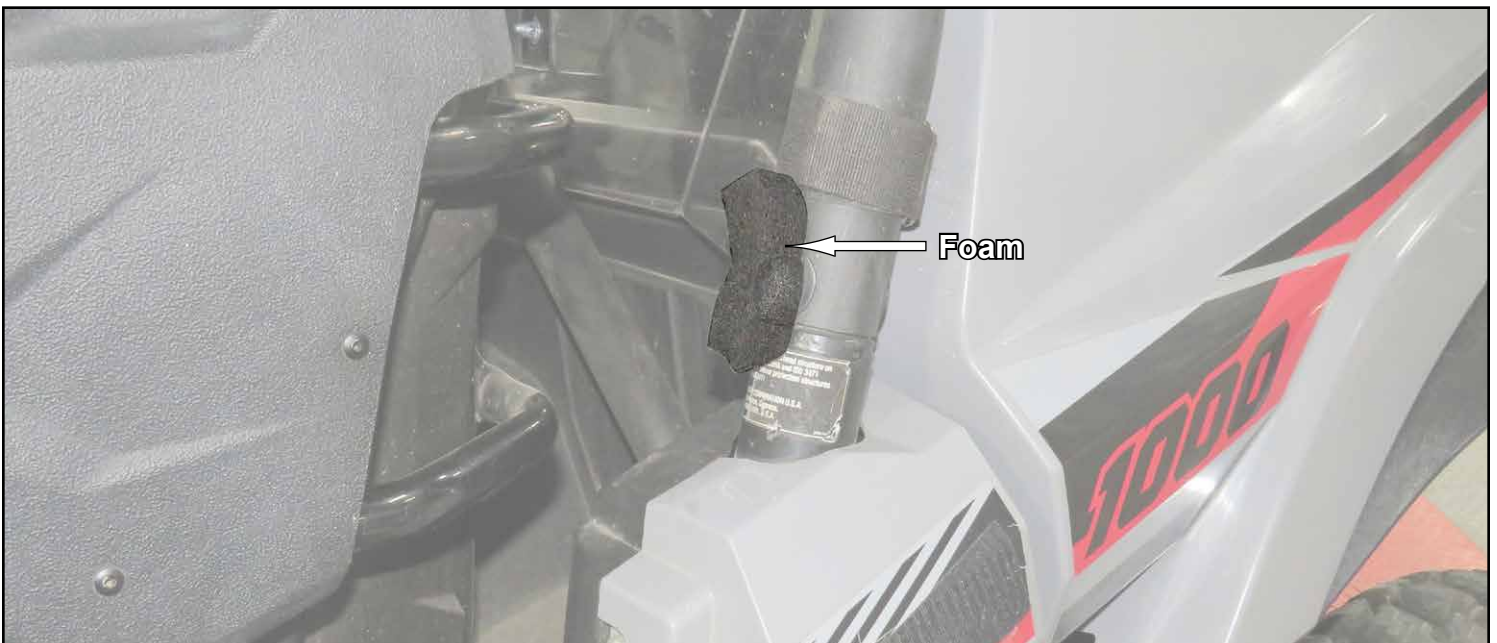
- Install Latch Bracket (G) to stock Latch with hardware shown; tighten.



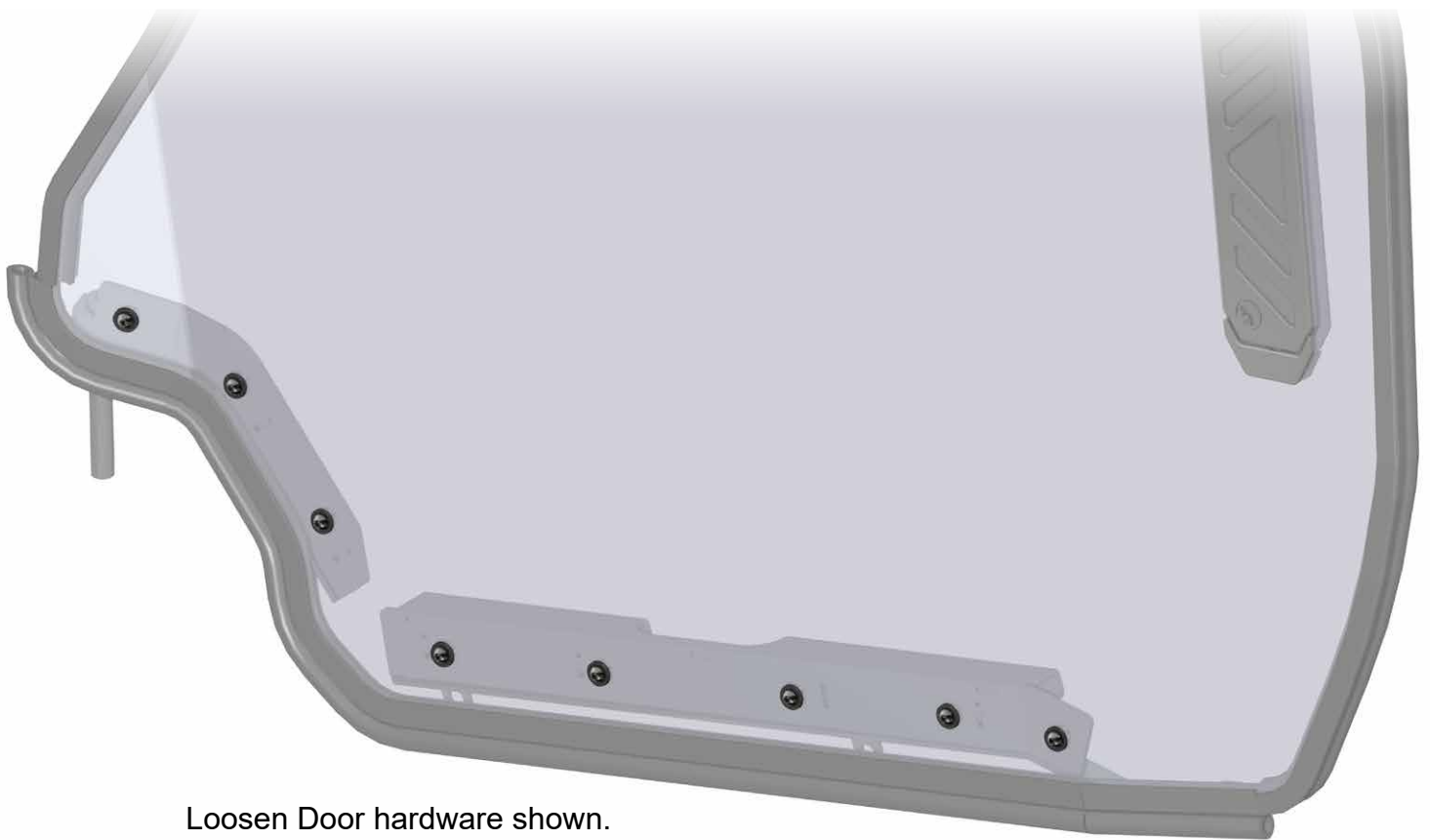
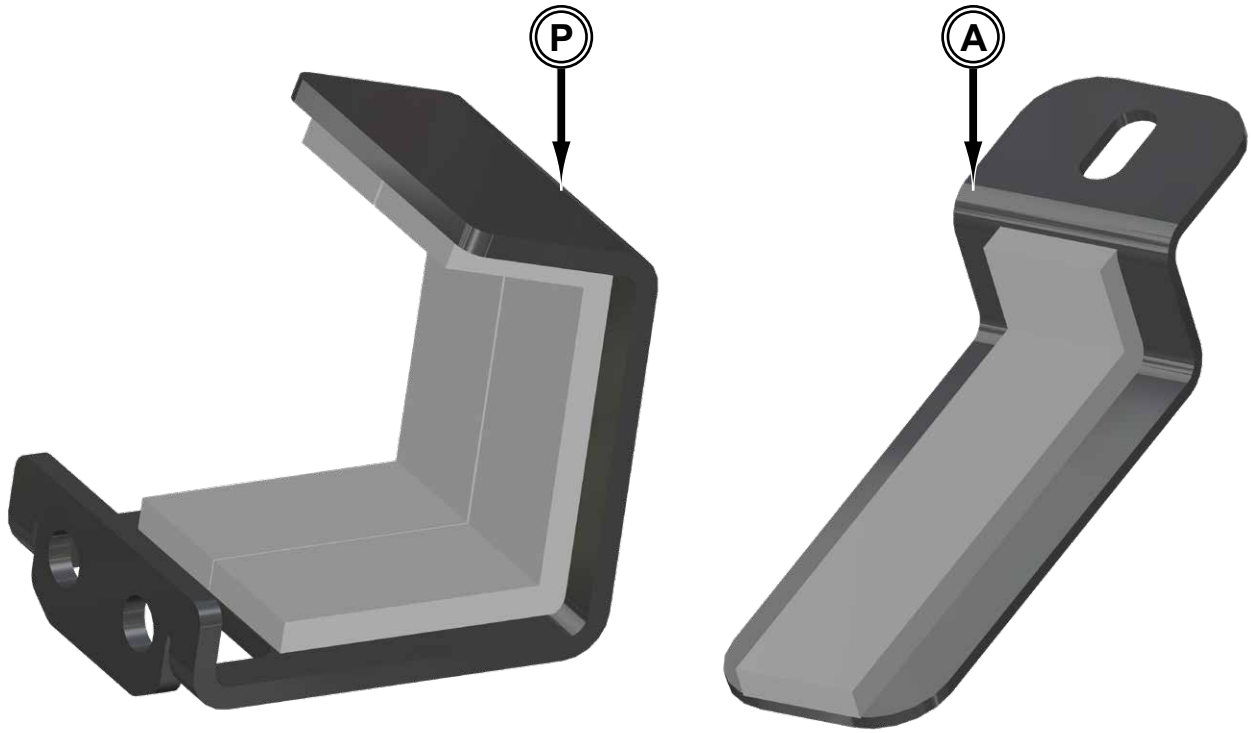
- Reinstall Side Panel.
- Secure Cable to Left Cable Holder (K).



- Reinstall Door Panel.
- Install a piece of Foam over stock hardware shown.



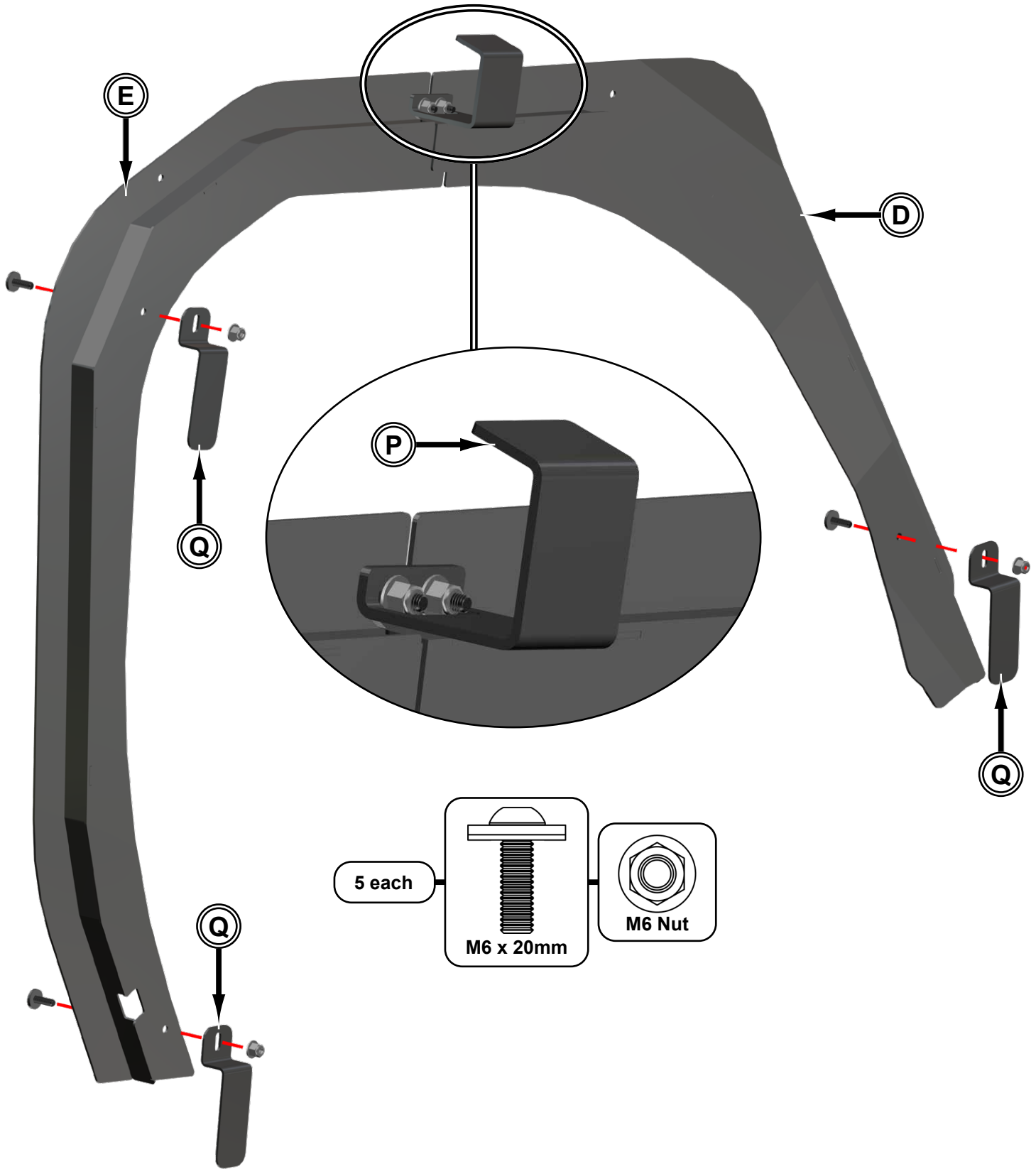
- Install Gasket to Shroud Brackets **A** (P) and Shroud Brackets **B** (Q) in locations shown.



Loosen Door hardware shown.

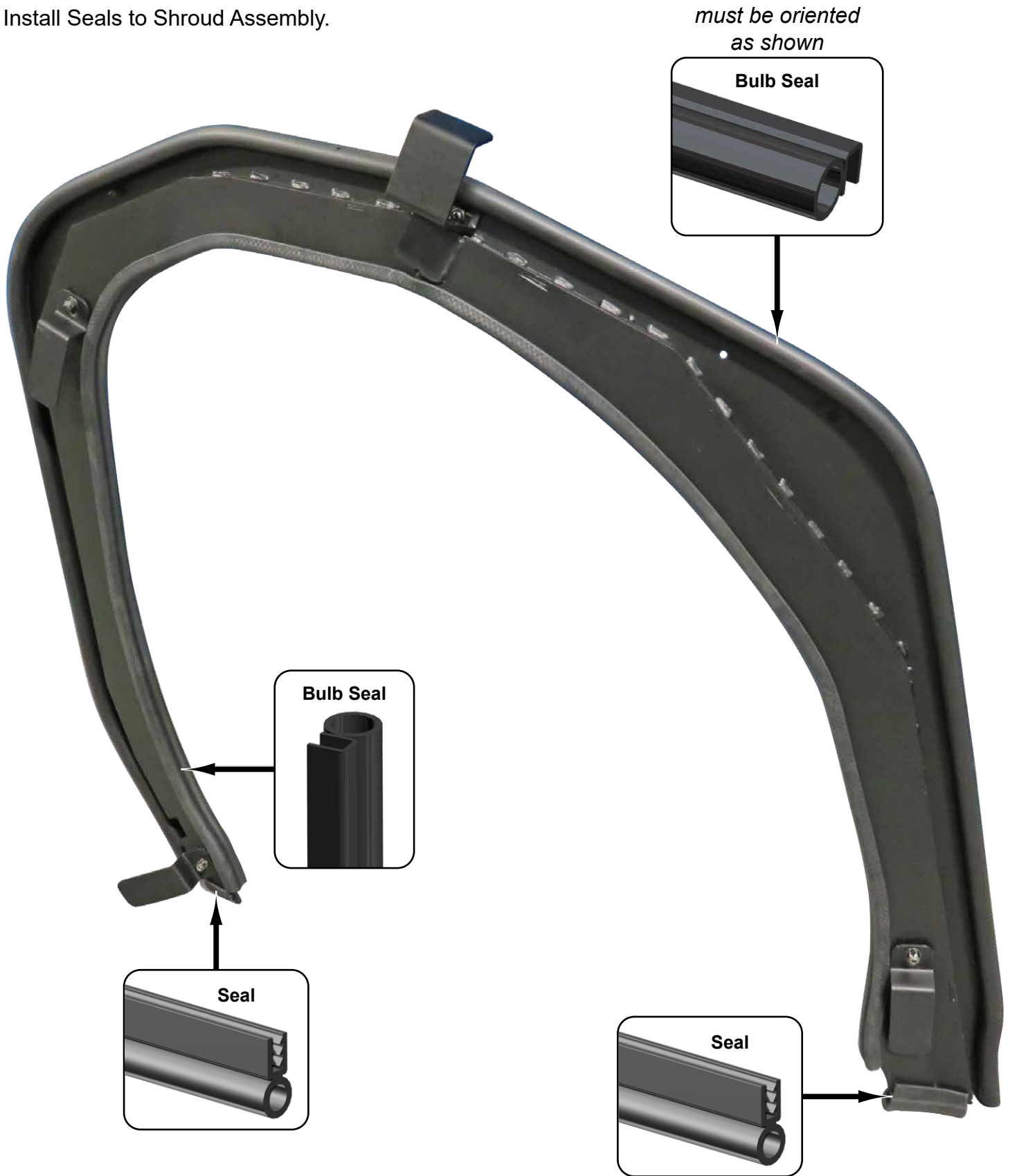
DO NOT TIGHTEN HARDWARE

- Install Left Shroud 1 (E) and Left Shroud 2 (D) to Shroud Bracket A (P) with hardware shown.
- Install Shroud Brackets B (Q) with hardware shown.



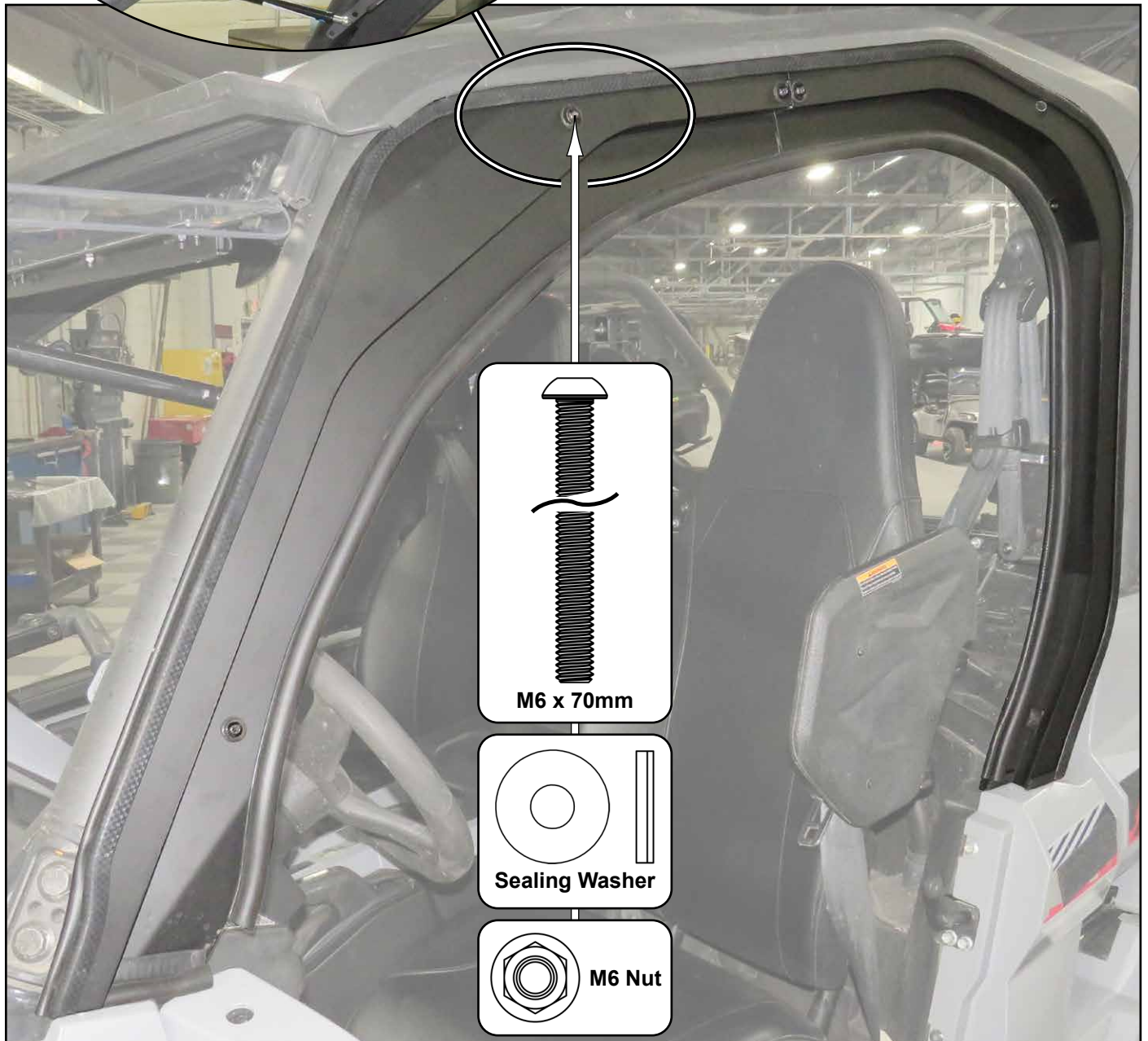
To ease installation, soak Seals in hot water before cutting or installing to increase flexibility.

- Install Seals to Shroud Assembly.



DO NOT TIGHTEN HARDWARE

- Secure Shroud Assembly to Frame with hardware shown.

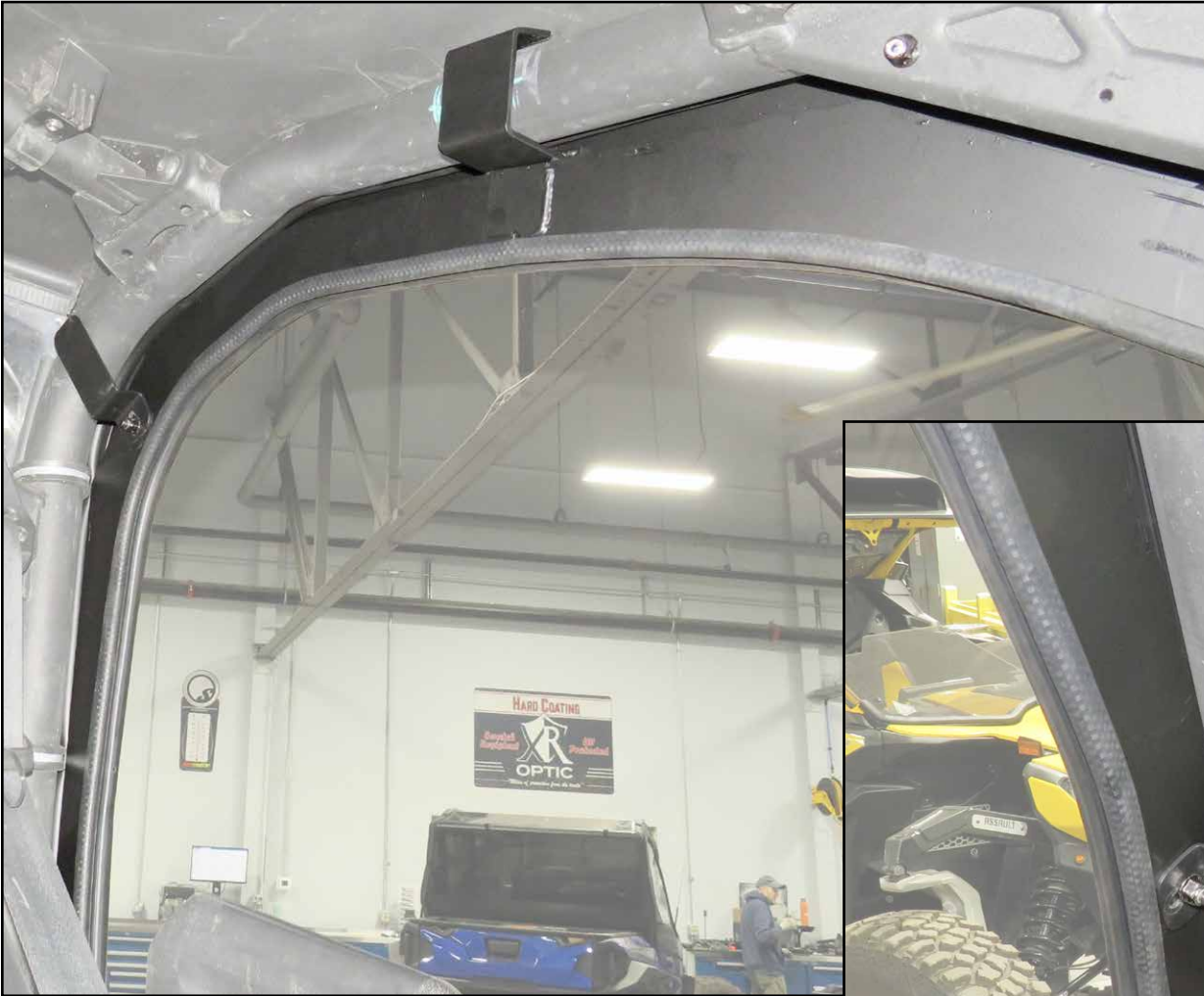


- Install a 3-1/2" long piece of D-Seal to location shown.
- D-Seal should also be under Shroud Assembly.



DO NOT TIGHTEN HARDWARE

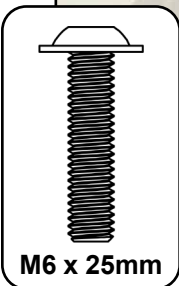
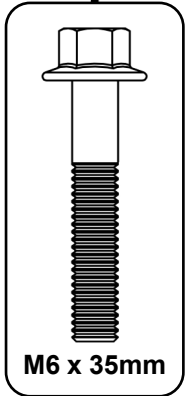
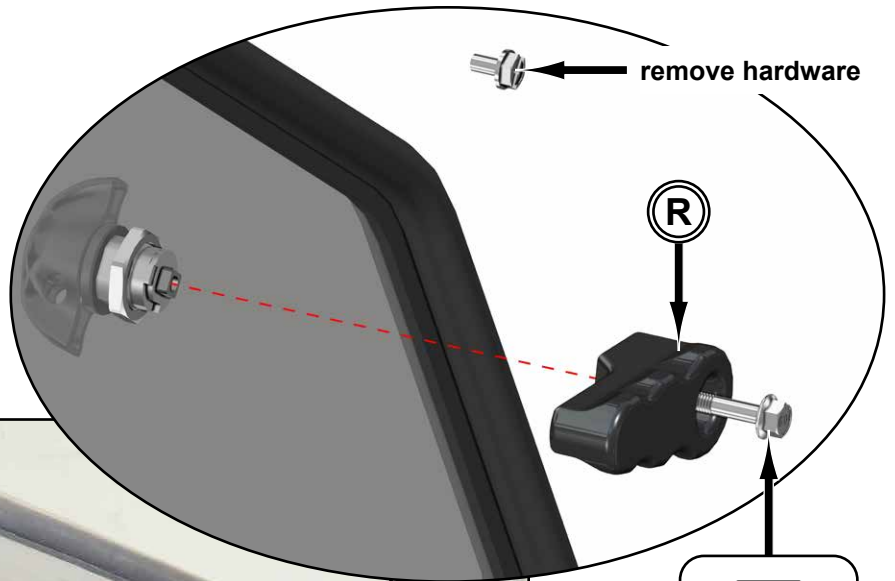
- Rotate Brackets on Shroud Assembly around Frame.



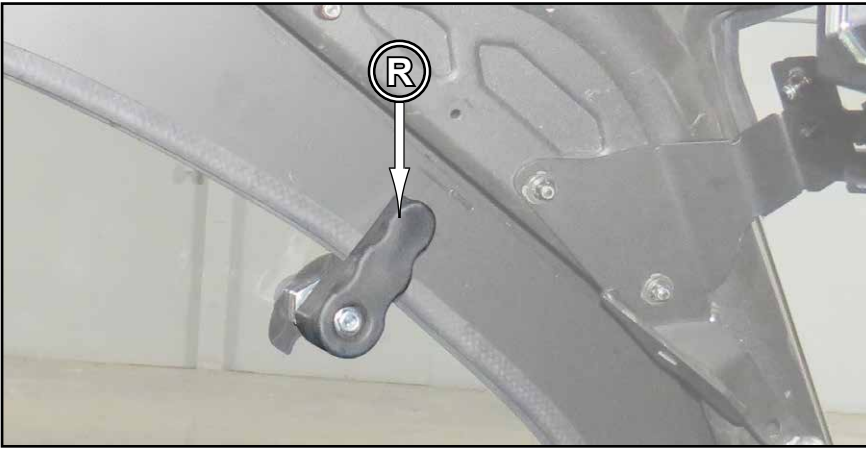
- Align Shroud Assembly to Frame and tighten all hardware.

DO NOT TIGHTEN HARDWARE

- Install and secure Left Door (F) with hardware shown.
- Install Latch (R) to Left with hardware shown; tighten.
- Once installed, repeat Latch steps for Rear Doors.



- Close Door and engage Latch (R).



- Align Door to Frame and machine; tighten all hardware.

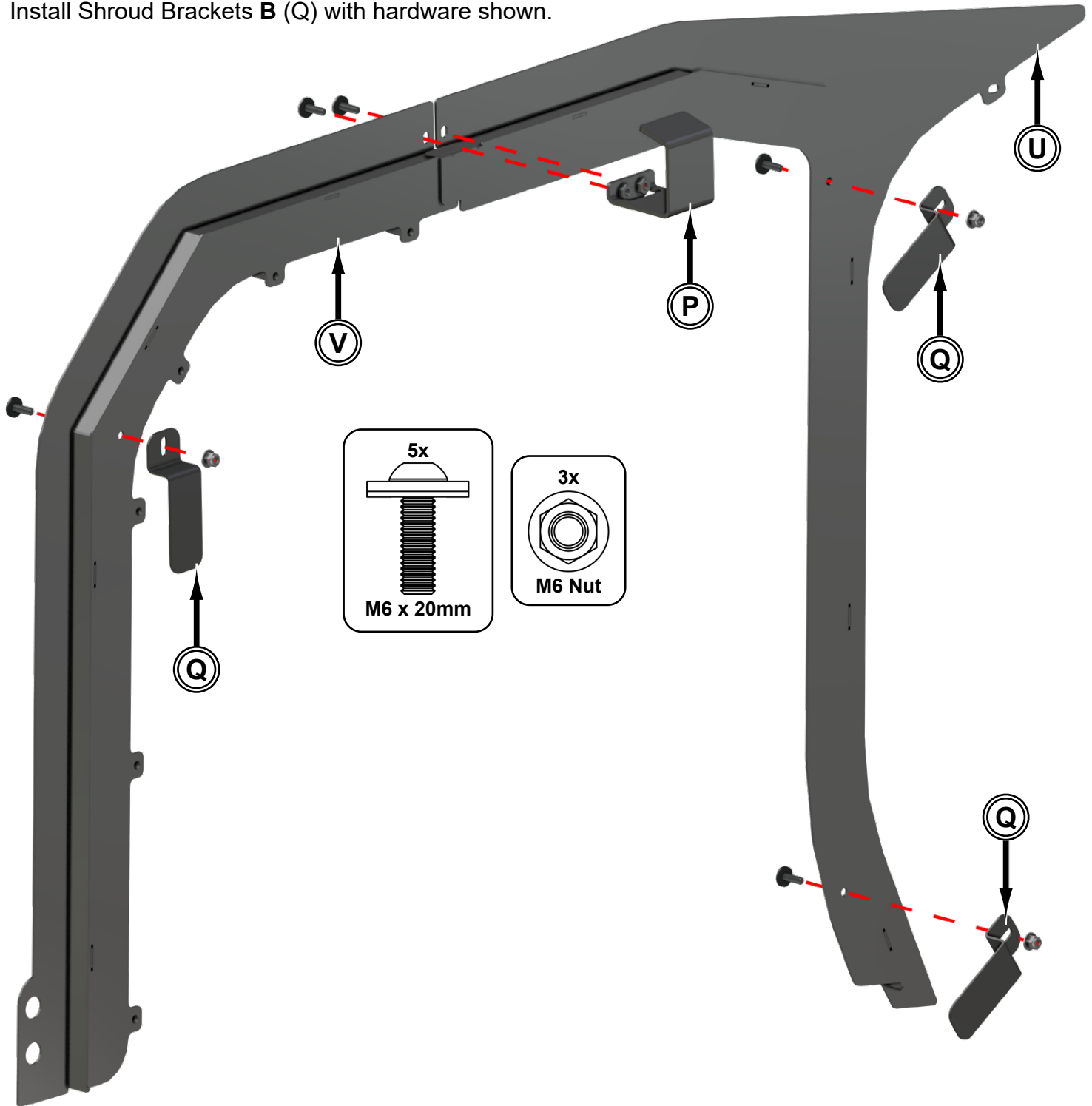


- Repeat steps for passenger side installation.

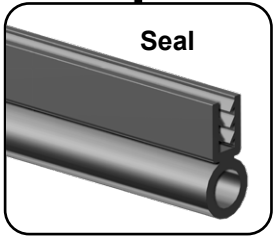
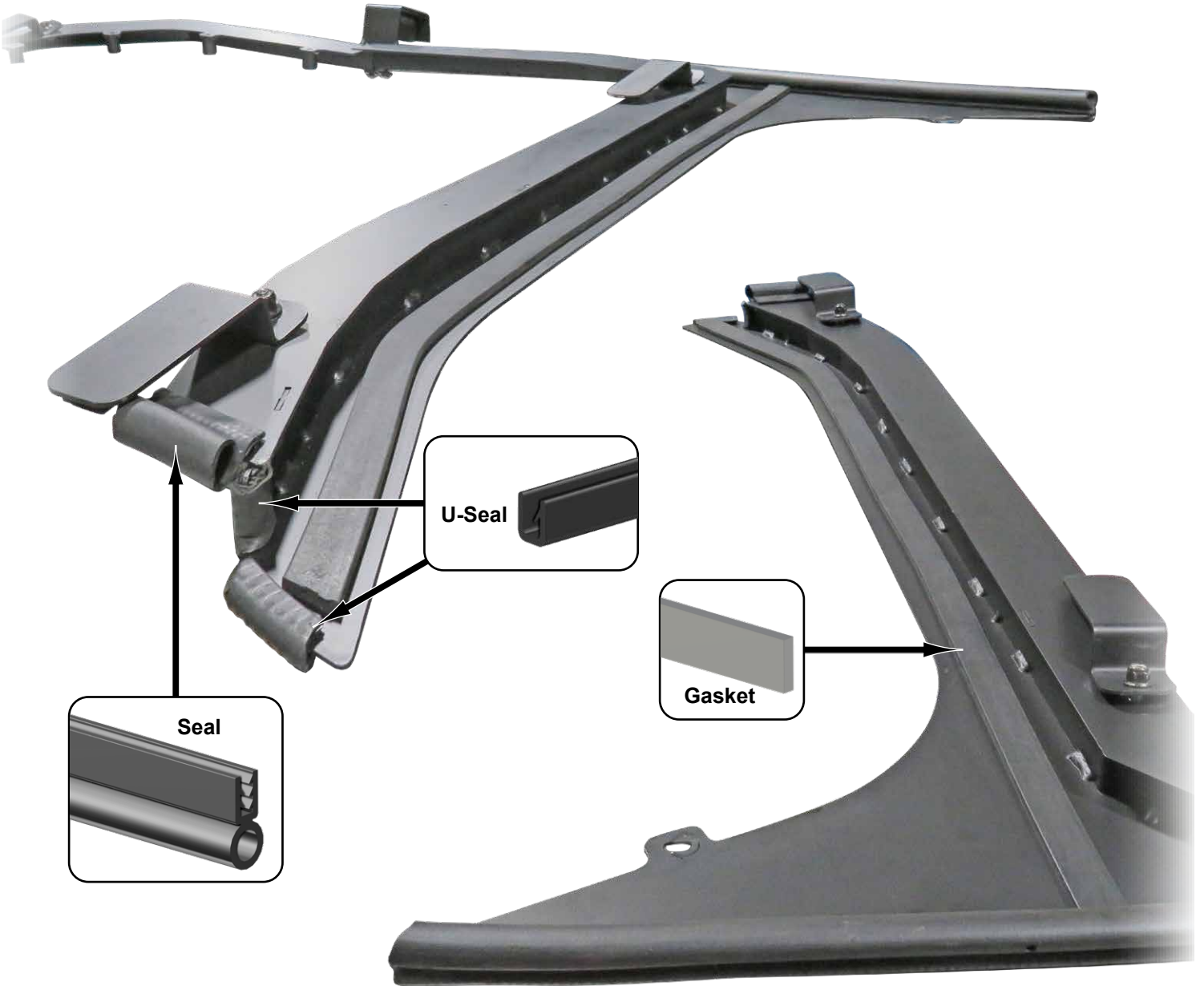
REAR DOOR INSTALLATION

DO NOT TIGHTEN HARDWARE

- Install Left Rear Shroud 1 (U) and Left Rear Shroud 2 (V) to Shroud Bracket A (P) with hardware shown.
- Install Shroud Brackets B (Q) with hardware shown.



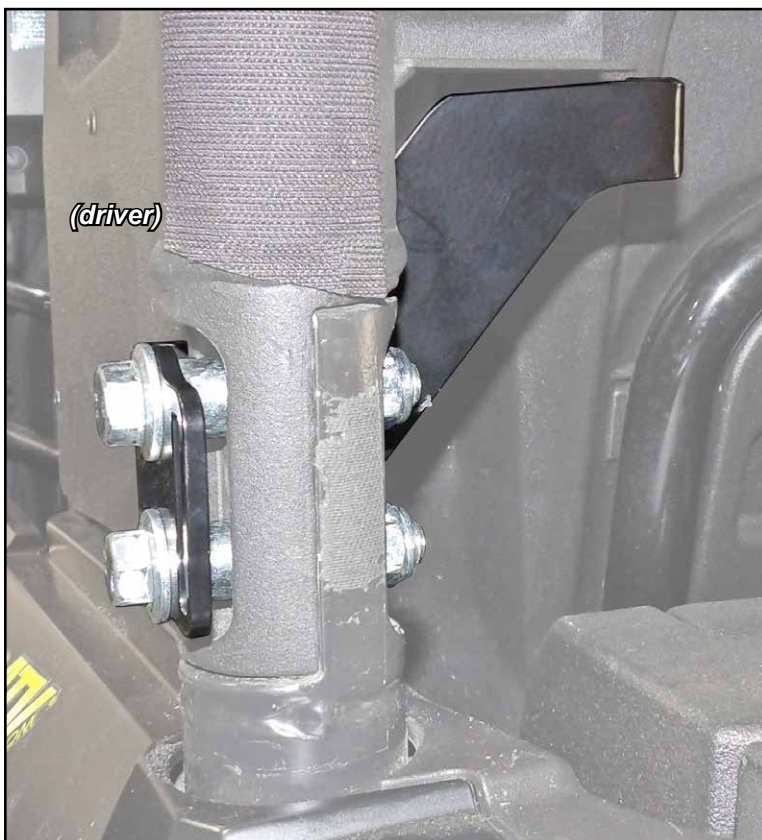
- Install Seals to Shroud Assembly.



- Remove stock hardware shown and install Left Frame Bracket (Z); do not tighten.

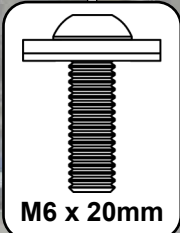


- If SuperATV Flip Rear Windshield is installed, flip hardware shown. To keep Cage aligned, remove and reinstall (1) set of hardware at a time.



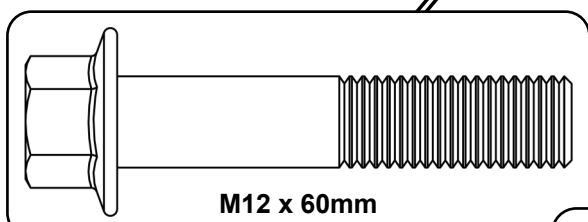
DO NOT TIGHTEN HARDWARE

- Secure Shroud Assembly to Frame and front Shroud Assembly with hardware shown.

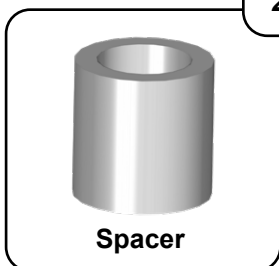
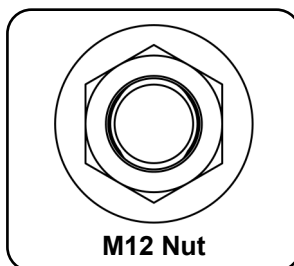


If SuperATV Rear Windshield is installed, reuse previously removed Nuts.

If SuperATV Flip Rear Windshield is not installed, use hardware shown.



2 each

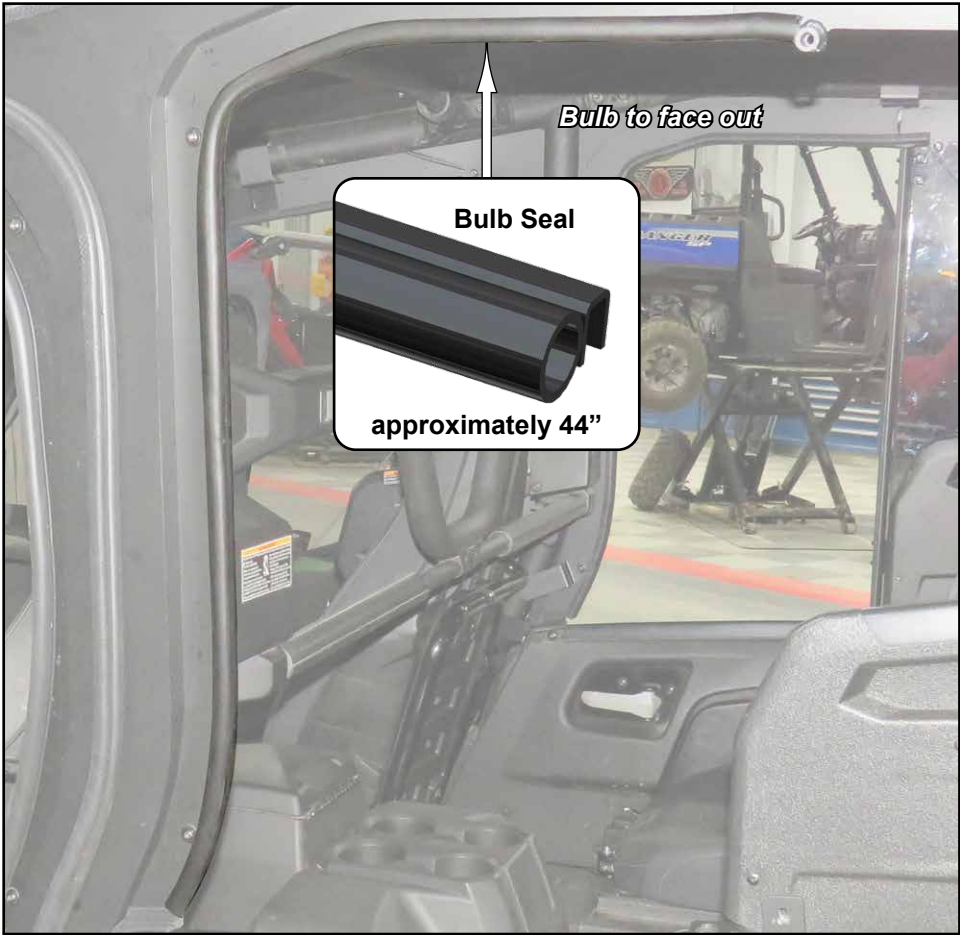


- Rotate Brackets on Shroud Assembly around Frame.

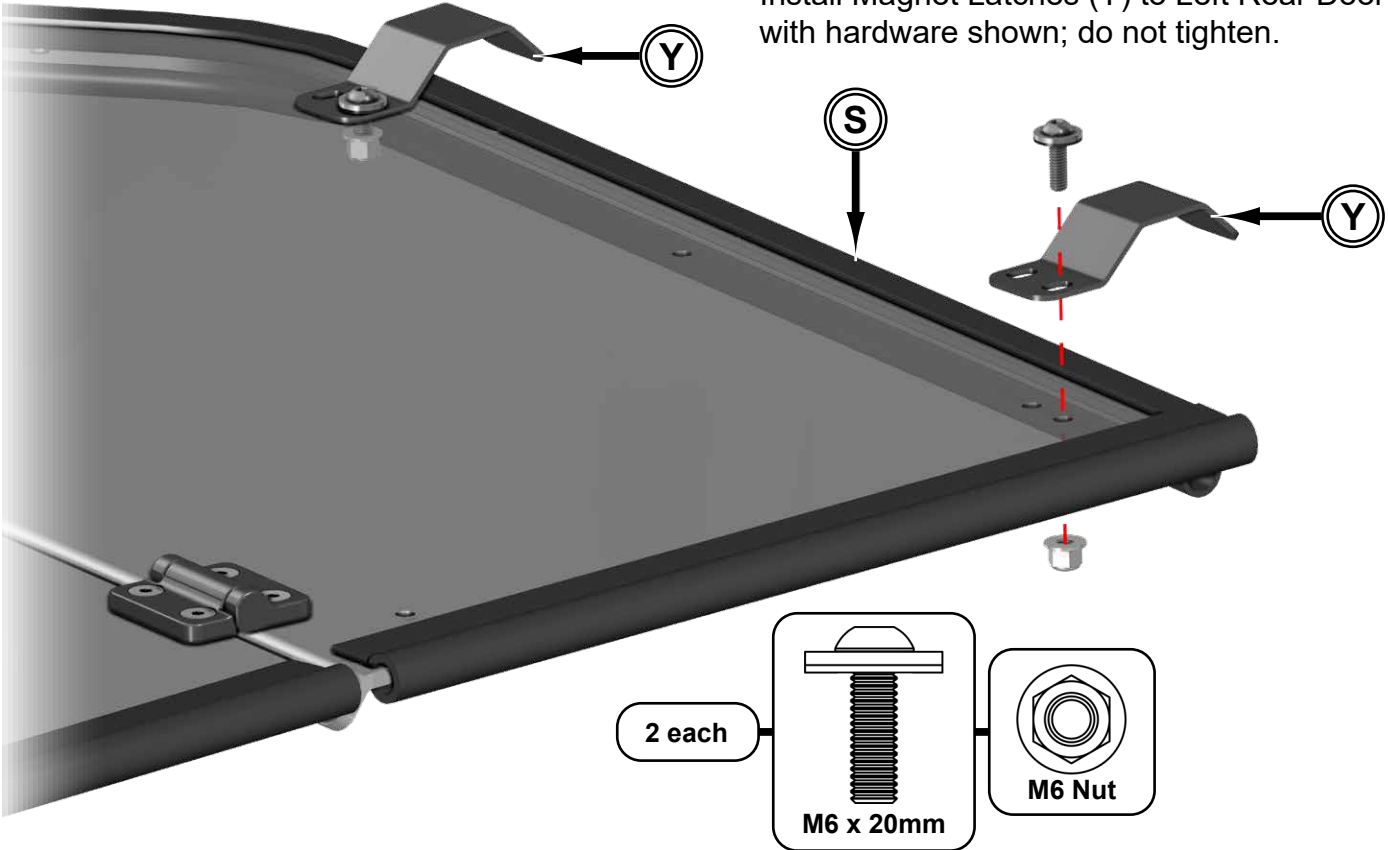


- Tighten all Shroud Assembly hardware.

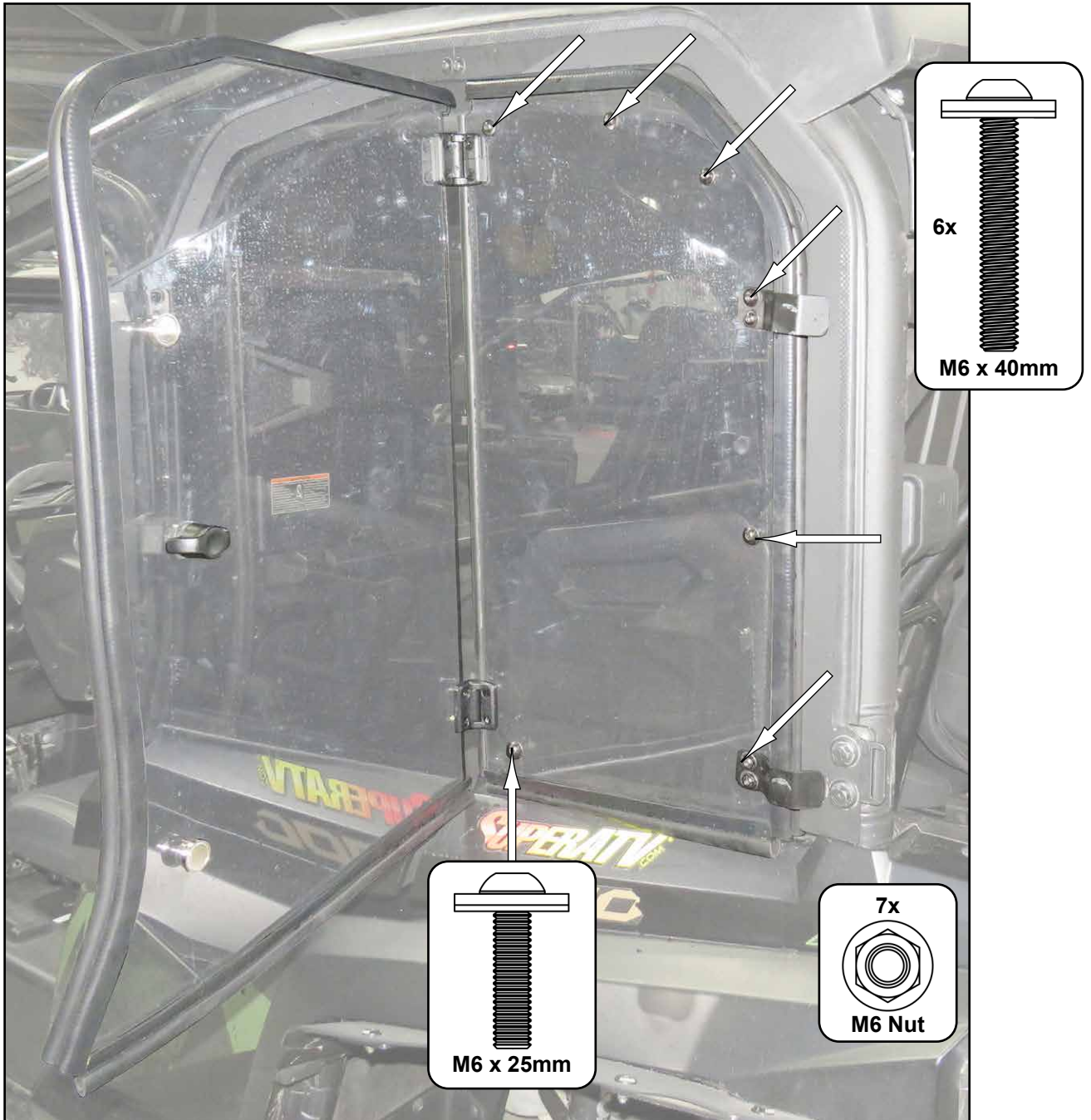
- Cut and install (1) piece of Bulb Seal to Shroud in location shown.



- Install Magnet Latches (Y) to Left Rear Door (S) with hardware shown; do not tighten.



- Install Left Rear Door (S) to Shroud Assembly with hardware shown; do not tighten.



- Close and engage Left Rear Door (S).
- Align to Shroud Assembly and tighten all hardware.

Repeat steps for passenger side installation.