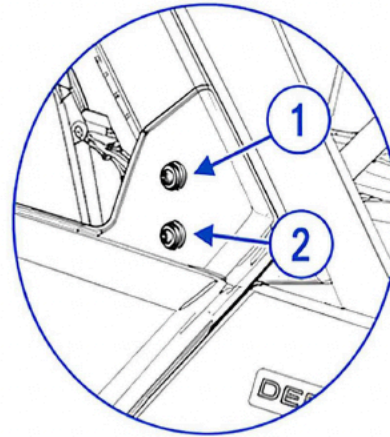
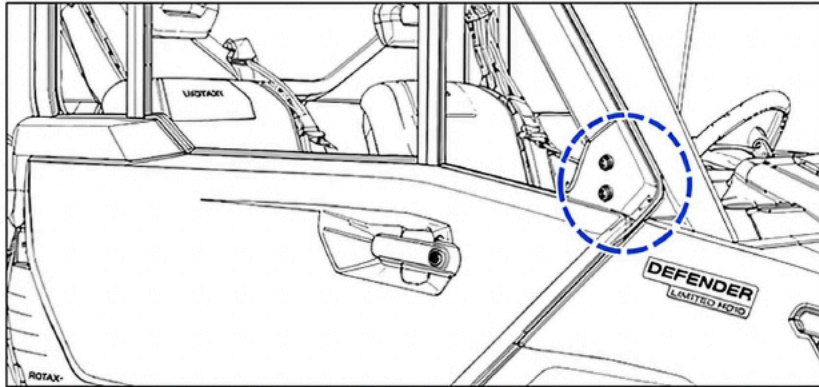


CAN-AM DEFENDER MIRROR MOUNT INSTALLATION

SKU 912280

Mounts to driver and passenger side.

STEP 1 - REMOVE FACTORY BOLTS



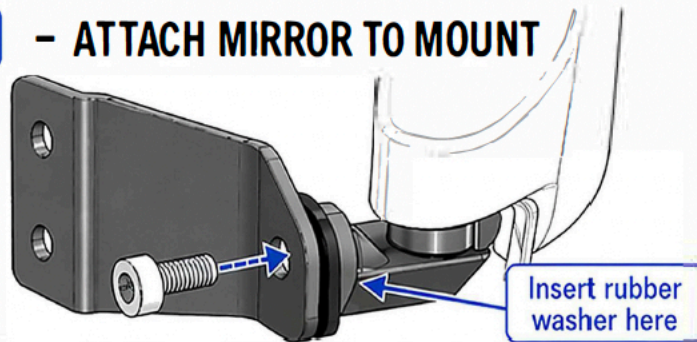
1. Remove the (2) factory bolts shown.



CAUTION:

Retain bolts for reuse during mirror mount installation.

STEP 2 - ATTACH MIRROR TO MOUNT



1. Install the mirror to the mount using the included M8 x 20 mm socket cap screw.



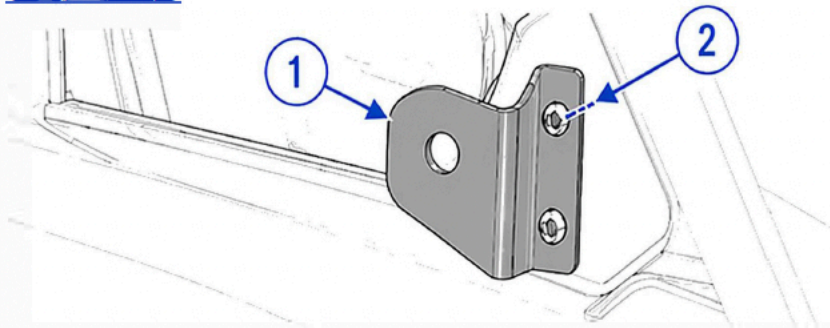
M8 x 20 mm socket cap screws included with kit.



RECOMMENDED TOOLS:

Use #8 Allen Socket Tool

STEP 3 - INSTALL MIRROR MOUNT



1. Align mirror mount bracket to the mounting location.
2. Install (2) M6 Torx head bolts and tighten securely.
3. Repeat for opposite side.

ATTENTION:

To ensure the left and right are positioned correctly, the angled edge should be at the bottom of the mount.



RECOMMENDED TOOLS:

T30 Torx Bit